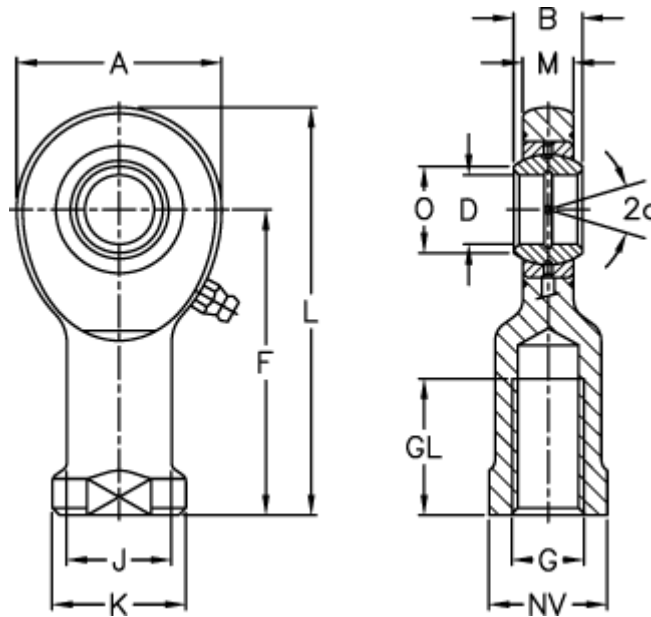


Data Sheet



Article number: 03480050
Description: Fluro Rod end EIL 50
Note: 50

Measures



A	= 112	J	= 62
a (degrees)	= 6	K	= 75
B	= 35	L	= 216
D	= 50	M	= 30
Dynamic drive (kN)	= 156	NV	= 65
F	= 160	O	= 56
g	= M45x3	Static drive kN	= 320
GL	= 68	Weight	= 3500